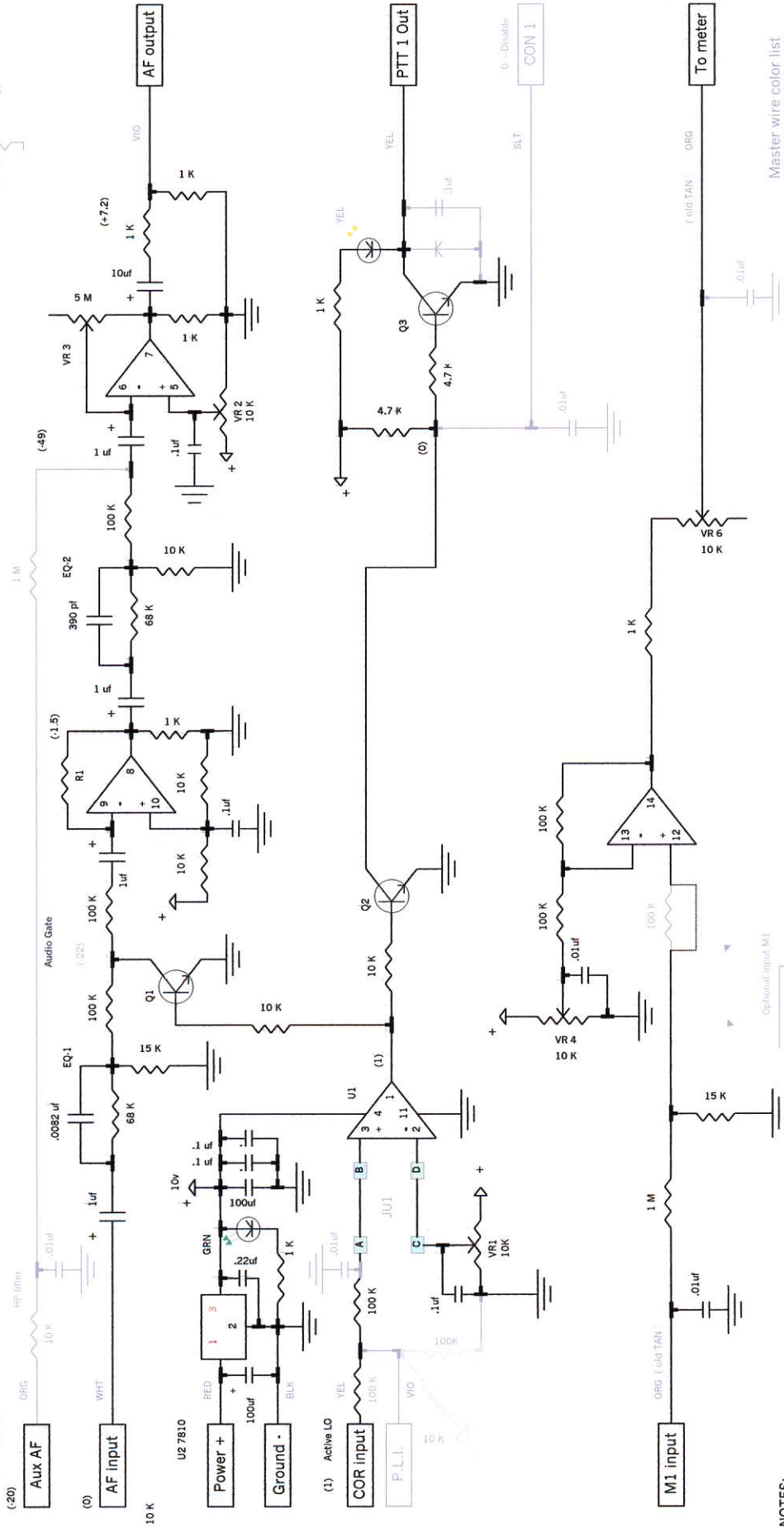




COR / AF Board

Ver 7.3



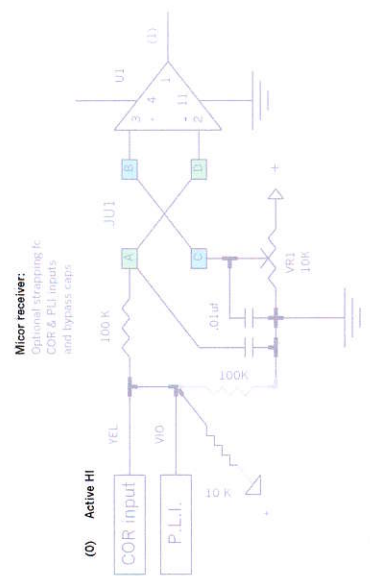
NOTES:

- Unless otherwise noted: All resistors in ohms, 1/4w, 1C
- All pots LT, 1/8w
- All capacitors in uf
- All inductors in mH 10%
- Levels in () are TLPs
- U1, pin 13 absolute voltages may vary
- EQ1, EQ2 values shown for motrac receive
- COR strapping shown for mitrek receive
- See text for other receiver types
- Grayed out areas are options normally not us

U1	LM 324 Op. Amp.
U2	7810 Regulator
Qs	2N3904
Ds	1N4148/914
LEDs	Standard T1 3/4

Master wire color list

Power 12v+	Red
Ground	Black,
Disc in	White
AUX AF in	Tan
COR	Yellow
P.L.I.	Violet
AF Out	Violet
PTT 1 (out)	Yellow
PTT 2 (out)	Green
CON 1	Slate
CON 2	Brown
AGC out (old tan)	Orange
AGC in (old tan)	Orange
Speaker out	Blue
Secondary v (old)	Orange



Print date 03/16/10 #####

Copywrite: AK20