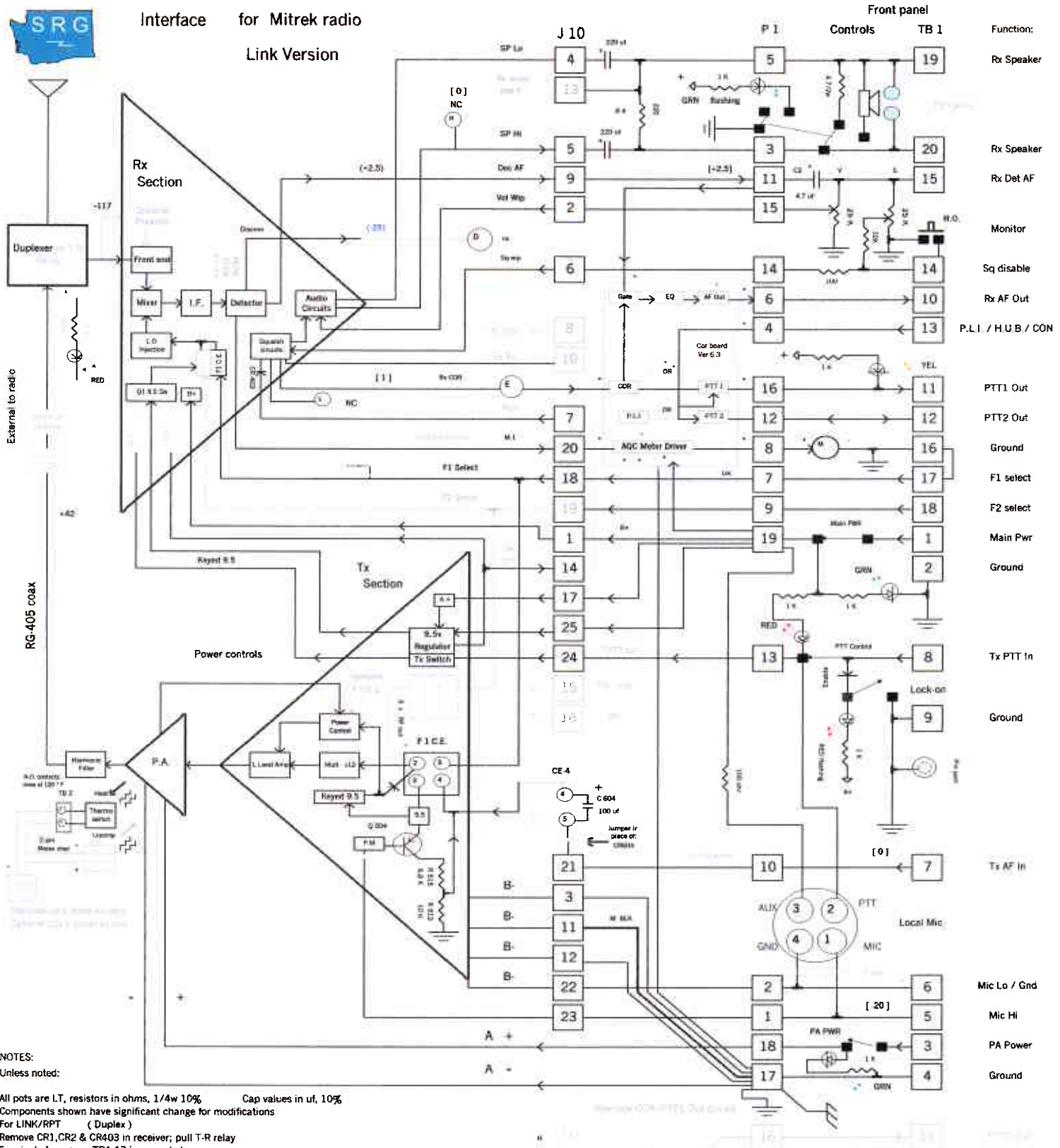




# Interface for Mitrek radio

## Link Version



NOTES:  
Unless noted:

- All pots are LT, resistors in ohms, 1/4w 10% Cap values in uf, 10%
- Components shown have significant change for modifications
- For LINK/RPT (Duplex)
- Remove CR1, CR2 & CR403 in receiver; pull T-R relay
- For single frequency TB1-17 is grounded
- For scanning control F1 & F2 lines are used
- Bypass CR 604 with jumper & install C 604; 100 uf, across F4 pins
- For data - use lower value: ~1~10 uf input cap
- For TRANSCIVE (Rx & C.E. muting)
- Leave CR1, CR2 & CR403 in receiver; leave T-R relay intact
- Jumper J10-7 and J10 14 together
- TB 1, 13 is universal for PL Indicate, Input, hang up box or contr
- \* COR Board may have up to 12 wires and need to be 3' longer than the other wires
- Dotted lines: optional strapping for stand-alone repeater use

PLI= PL indicate or input  
All PTTs are active going low

January 27, 2011

11:51 AM

Design by AK20